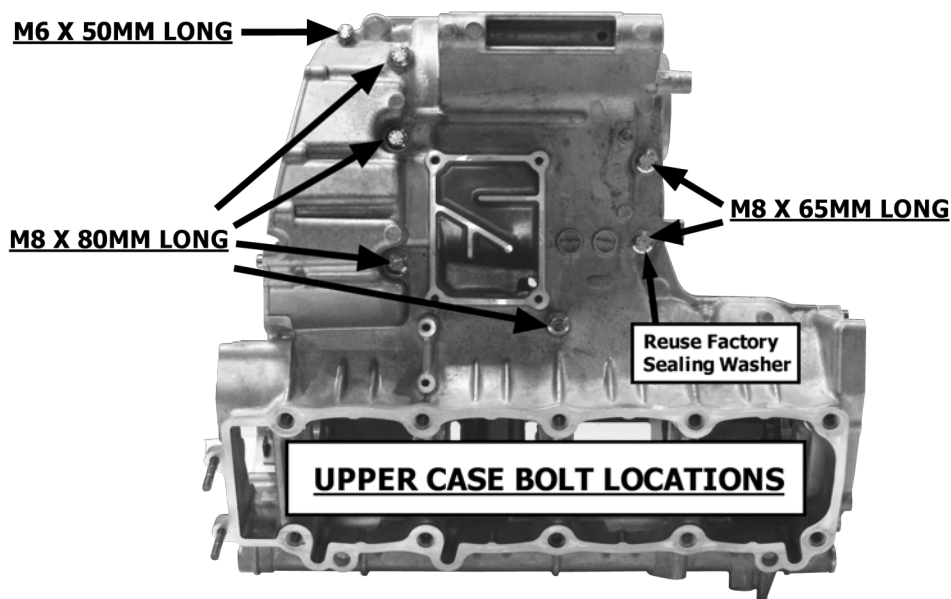
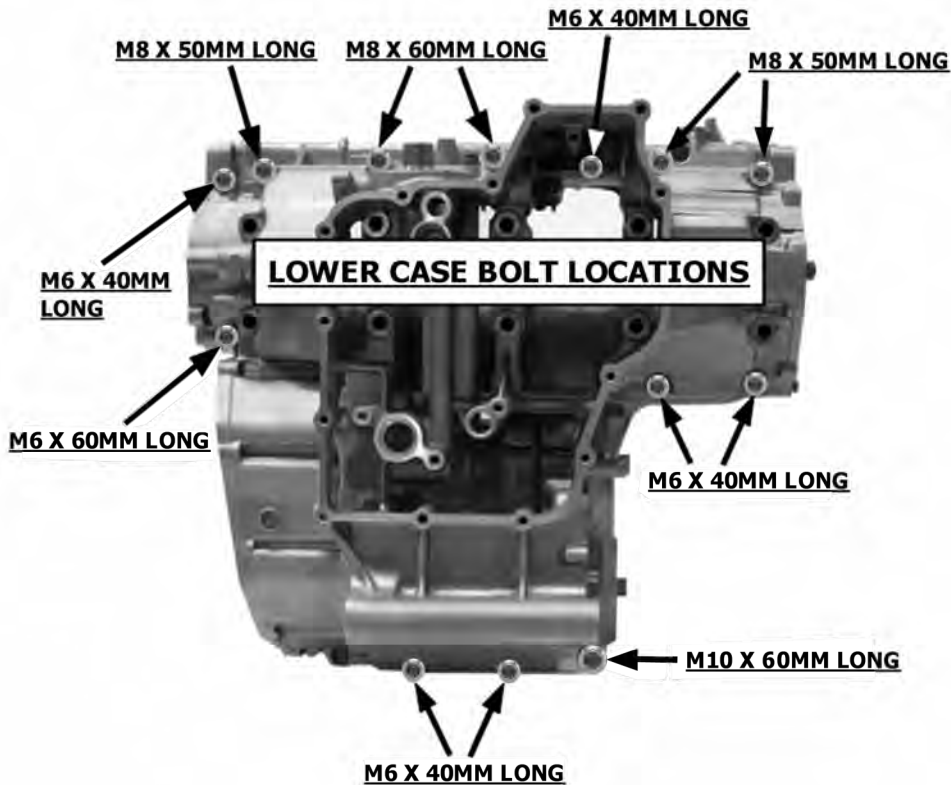


INSTALLATION METHOD FOR STAINLESS STEEL CASE BOLT KITS

Part Number: 471-9501 Application: Suzuki Hayabusa GSX 1300



PRELOAD (TORQUE) RECOMMENDATIONS

Following the manufacturers recommended torque sequence tighten the bolts to the following specifications with ARP ULTRA-TORQUE FASTENER ASSEMBLY LUBRICANT.

M6 bolts 10 ft-lbs

M8 bolts 20 ft-lbs

M10 bolts 40 ft-lbs